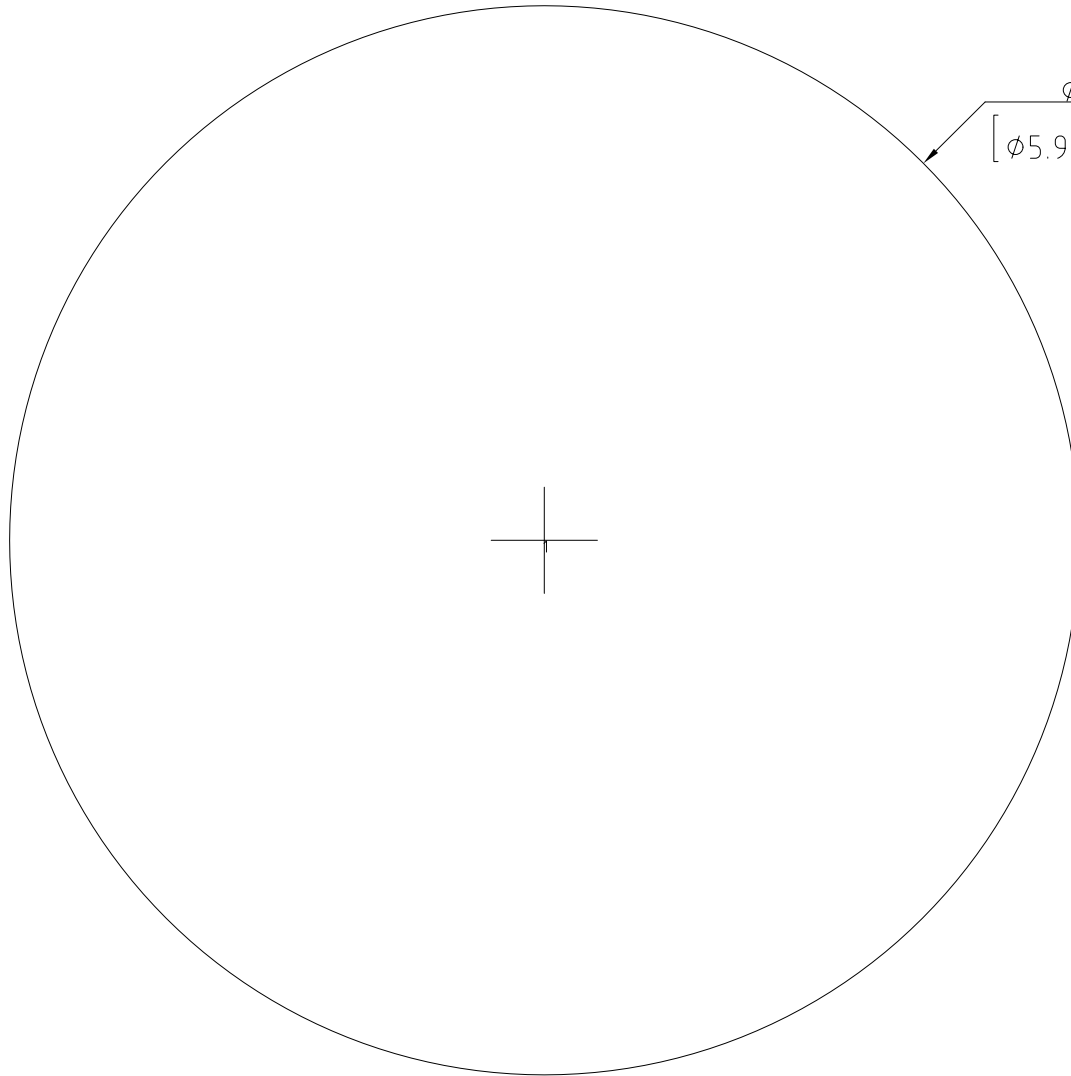


特克萊克保留所有權利。未經授權嚴禁复制或
使用以及向第三方洩漏。

All rights reserved. Unauthorized reproduction, use
or disclosure to third parties is strictly forbidden.



Cutout Detail

Frame: H3 150 UG Solution: 1

Item	Qty	Roxtec Packing Material	mm []	Roxtec Art No	Weight Kg [lb]
Responsible yube		Created Date 2020-08-26	Modify Date 2020-08-26	Project 台灣大哥大 Location/ Sublocation	TotWeight 2.4 [5.29] Sheet No
		Format NTS		Transit name H3-150 UG	1/2
		Client		Drawing number	Rev





MODULE WITH PIPE



MODULE WITH CABLE



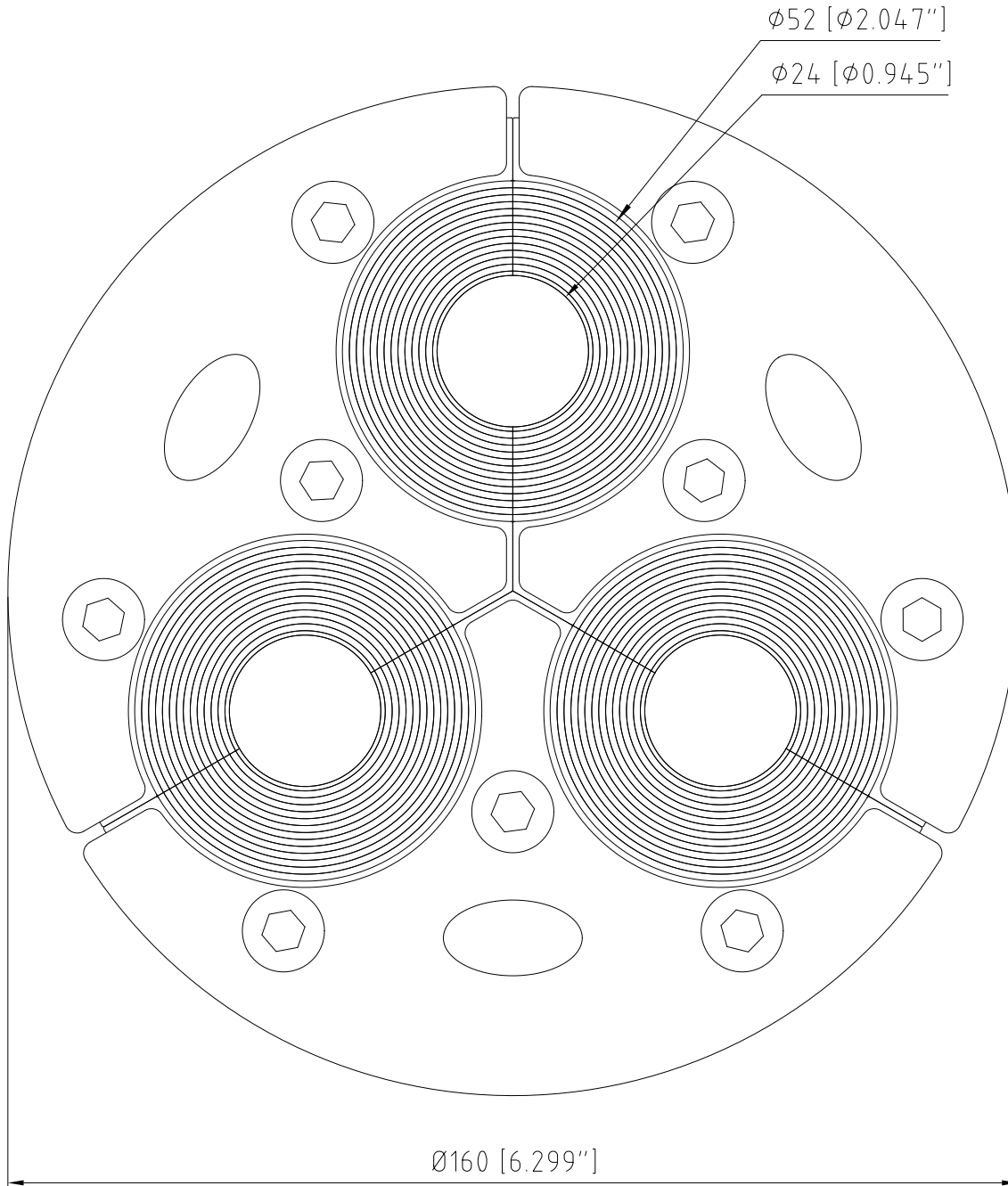
SPARE MODULE



SOLID MODULE

Detail Drawing

Solution: 1



Ø52 [Ø2.047"]

Ø24 [Ø0.945"]

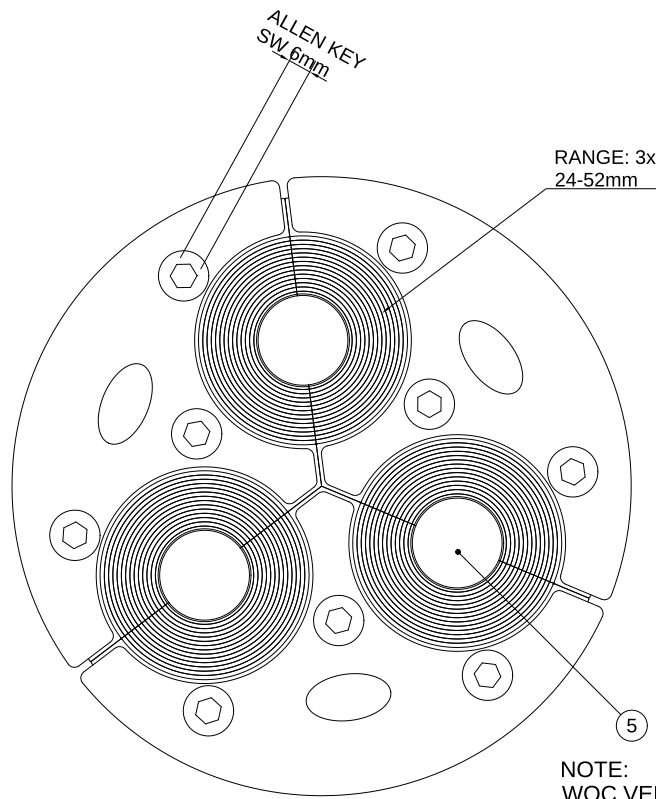
Ø160 [6.299"]

未经授权复制或再行传播，未经授权的复制、使用以及向第三方泄露。

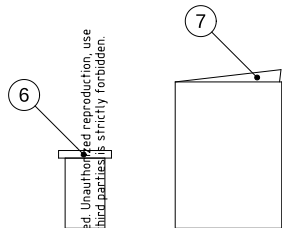
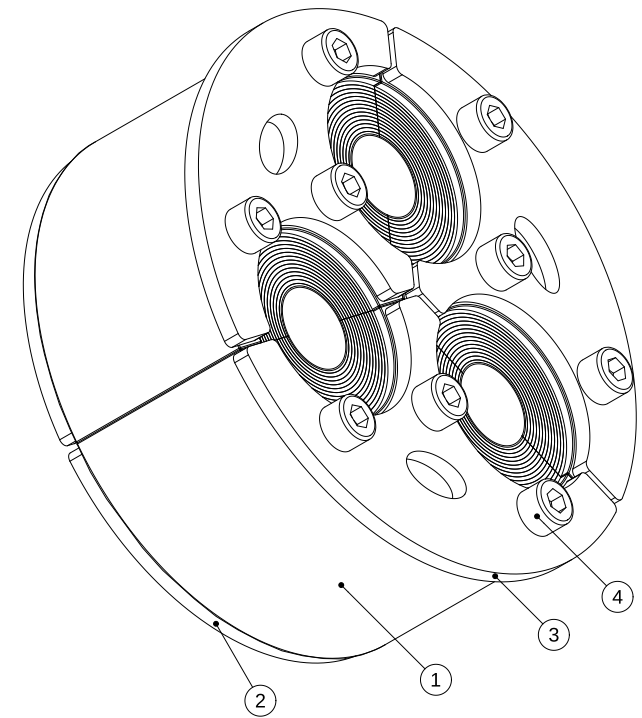
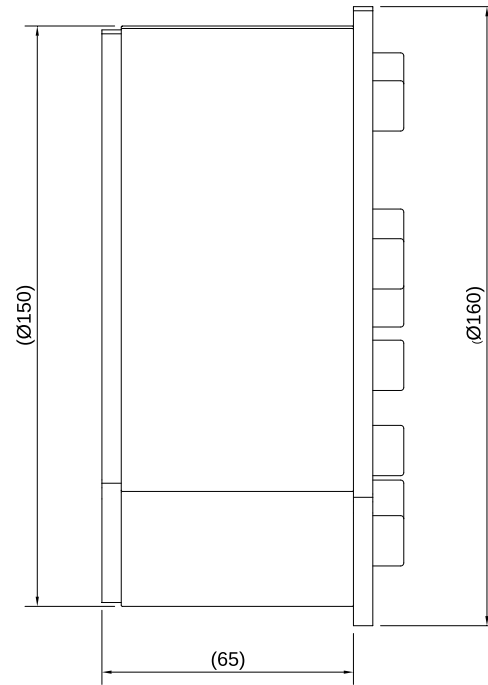
All rights reserved. Unauthorized reproduction, use or disclosure to third parties is strictly forbidden.

1	1	H3 150 UG 24-52 [0.945"-2.047"]	151561		2.4 [5.29]
Item	Qty	Roxtec Packing Material	mm ["]	Roxtec Art No	Weight Kg [lb]
yube				台灣大哥大 Location/ Sublocation	2.4 [5.29]
Responsible		Created Date	Modify Date	Project	Total Weight
		2020-08-26	2020-08-26	H3-150 UG	2.4
Format		Client		Drawing number	Sheet No
NTS					2/2
					Rev

格克賽克保留所有權利。未經授權嚴禁复制或
使用以及向第三方泄漏。



NOTE:
WOC VERSION IS WITHOUT
CENTER CORES



All rights reserved. Unauthorised reproduction, use
or disclosure to third parties is strictly forbidden.

ITEM	QTY	Designation	Specification	Weight
7	1	INSTALLATION INSTRUCTION		
6	1	LUBRICANT	10 ml	
5	3	CENTER CORE	NOT IN WOC VERSIONS	
4	9	SCREW	MC6S M8x70 A4	
3	3	FRONT FITTING	T=5mm ACID PROOF STAINLESS STEEL	
2	3	REAR FITTING	T=5mm ACID PROOF STAINLESS STEEL	
1	3	RUBBER FRAME	ROXYLON	

2016-12-08 10042.9	2016-12-08 10042.9	EN ISO 5817-8 surface progress Ra 12.5	by/date se-danstr 2015-01-23	approved by/date Approved by/date	Format A2	Scale 1:-	Projection
		H3-150 UG ASSEMBLY		www.roxtec.com		Restricted due to Information drawing	
Drawing number S1501351						Rev A	

A		2015-01-23	se-jenboh
Rev	Type of revision	Date	Sign