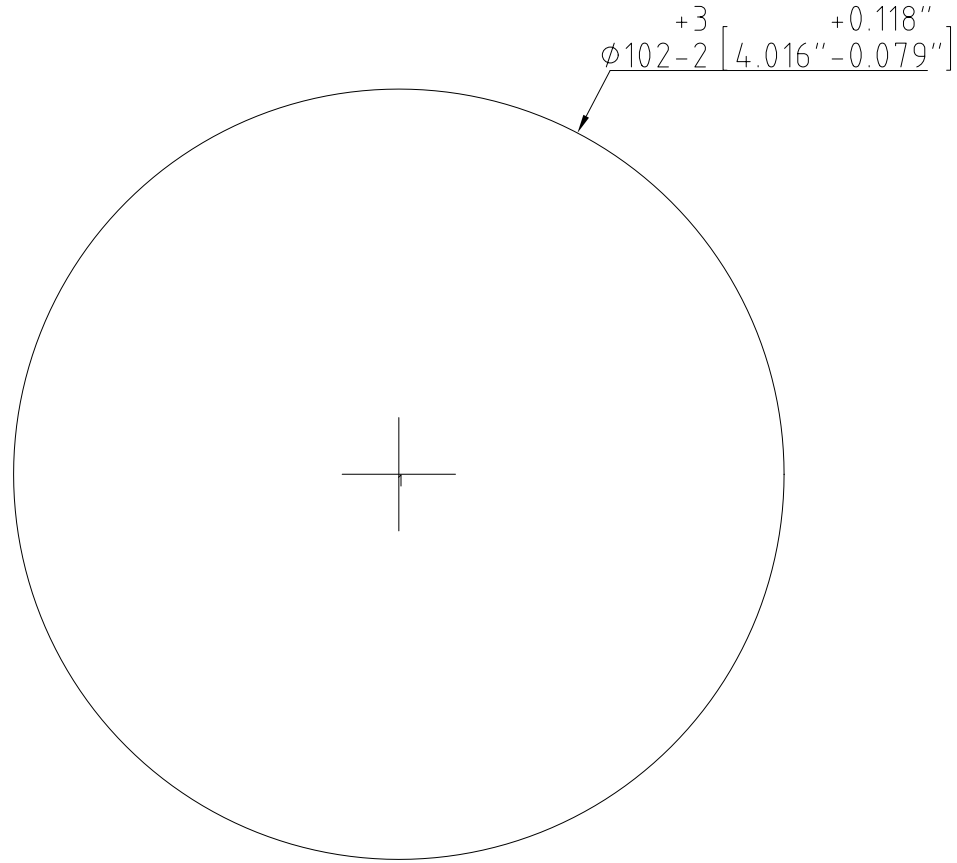


所有權利保留。未經授權嚴禁複製、
使用以及向第三方洩漏。

All rights reserved. Unauthorized reproduction, use
or disclosure to third parties is strictly forbidden.



Cutout Detail

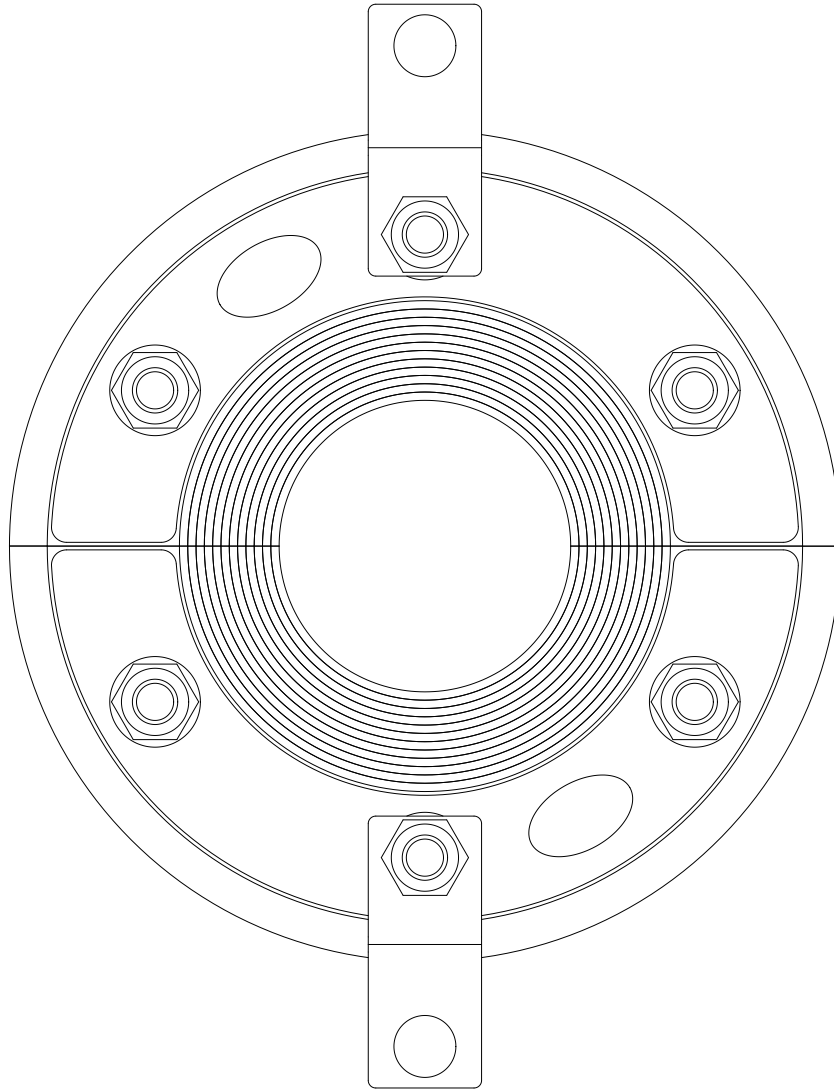
Frame: RS 100 UG Solution: 1

Item	Qty	Roxtec Packing Material	mm []	Roxtec Art No	Weight Kg [lb]
Responsible	Created Date	Modify Date	Project	Total Weight	
yube	2020-08-26	2020-08-26	台灣大哥大	1.1	[2.43]
Format	Client	NTS	Location/ Sublocation	Sheet No	
			RS 100 UG	1/2	
			Drawing number	Rev	



未经授权保留所有权利。未经授权严禁复制，
使用以及向第三方泄露。

All rights reserved. Unauthorized reproduction, use
or disclosure to third parties is strictly forbidden.



MODULE WITH PIPE



MODULE WITH CABLE



SPARE MODULE



SOLID MODULE

Detail Drawing

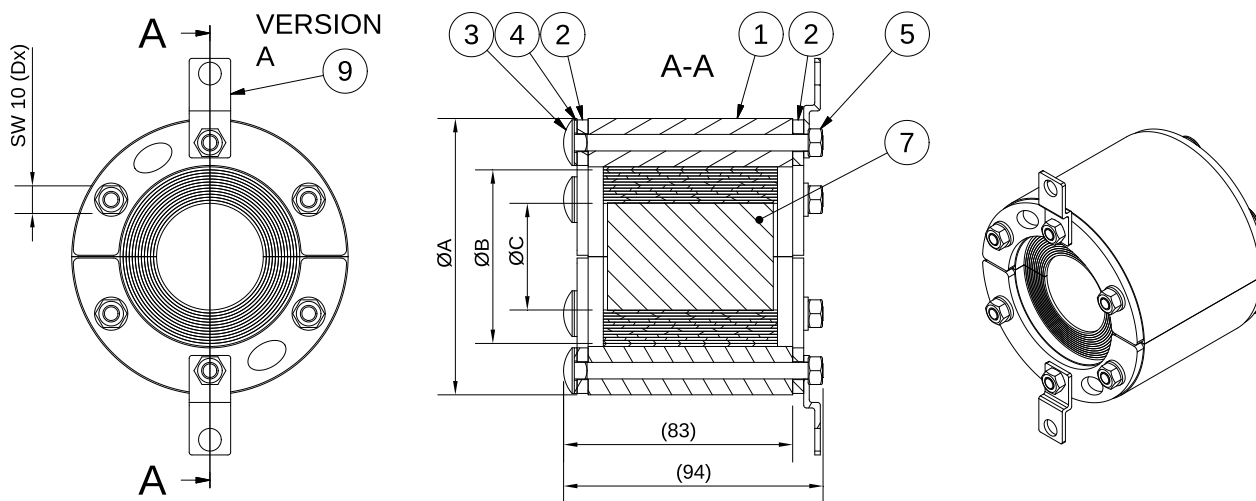
Solution: 1

1	1	RS 100 UG 39-63 [1.535"-2.480"]	167236	1.1 [2.43]
Item	Qty	Roxtec Packing Material	mm [] Roxtec Art No	Weight Kg [lb]
Responsible	Created Date	Modify Date	Project	TotWeight
yube	2020-08-26	2020-08-26	台灣大哥大 Location/ Sublocation	1.1 [2.43]
Format	NTS		Transit name	Sheet No
			RS 100 UG	2/2
Client			Drawing number	Rev

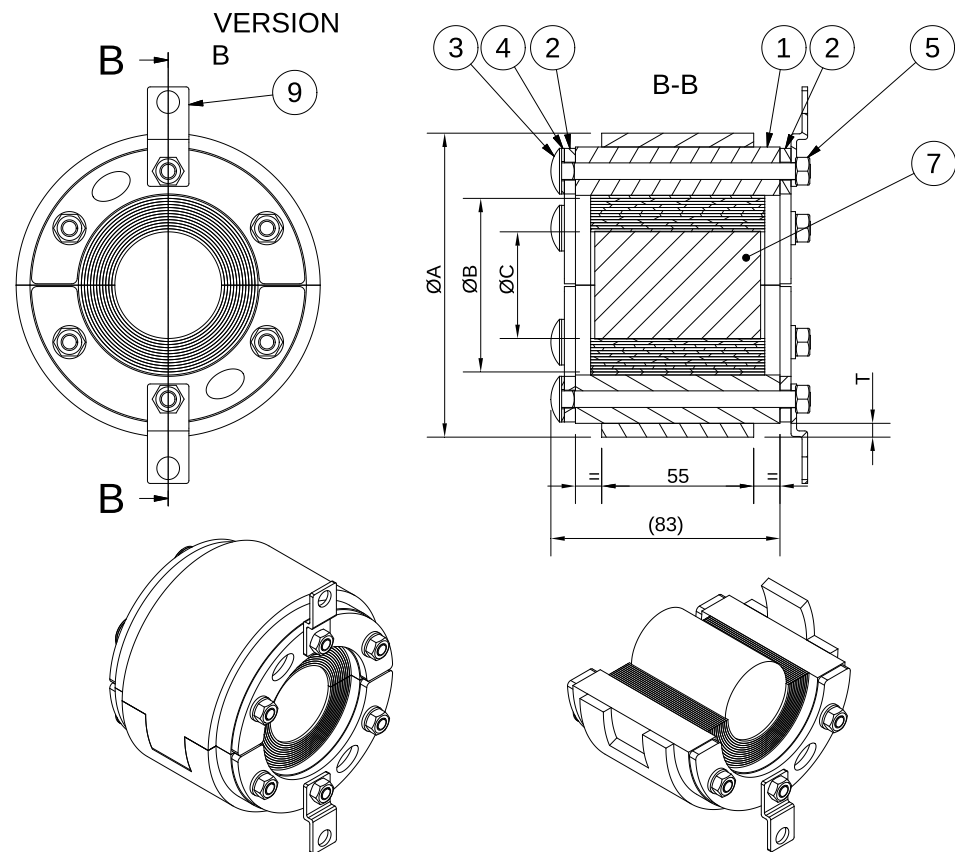


格克赛克保留所有权利。未经授权严禁复制或向第三方泄露。

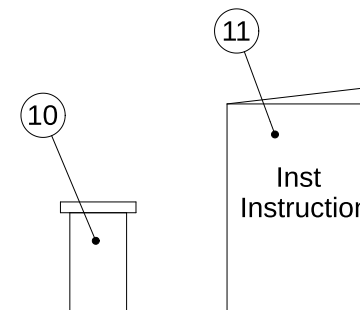
All rights reserved. Unauthorized reproduction, use or disclosure to third parties is strictly forbidden.



PRODUCT	APERTURE A (MM)	RANGE C-B (MM)	D (QTY)	E (QTY)	VER.	T (MM)
RS 70 UG	70-75	9-33	4	2	A	-
RS 75 UG	75-80	9-33	4	2	B	2.5
RS 80 UG	80-85	9-33	4	2	B	5
RS 90 UG	90-95	24-53	6	2	A	-
RS 95 UG	95-100	24-53	6	2	B	2.5
RS 100 24-53 UG	100-105	24-53	6	2	B	5
RS 100 UG *	100-105	39-63	6	2	A	-
RS 105 UG *	105-110	39-63	6	2	B	2.5
RS 110 UG *	110-115	39-63	6	2	B	5
RS 125 UG *	125-130	55-88	6	2	A	-
RS 130 UG *	130-135	55-88	6	2	B	2.5
RS 135 55-88 UG *	135-140	55-88	6	2	B	5
RS 135 UG *	135-140	65-98	6	2	A	-
RS 140 UG *	140-145	65-98	6	2	B	2.5
RS 145 UG *	145-150	65-98	6	2	B	5
RS 150 UG WOC	150-155	80-113	8	4	A	-
RS 155 UG WOC	155-160	80-113	8	4	B	2.5
RS 160 UG WOC	165-170	80-113	8	4	B	5
RS 185 UG WOC	185-190	114-148	8	4	A	-
RS 190 UG WOC	190-195	114-148	8	4	B	2.5
RS 195 UG WOC	195-200	114-148	8	4	B	5



* ALSO AVAILABLE AS WOC VERSION.
WOC VERSION IS WITHOUT CENTER CORE.



ITEM	QTY	Designation	Specification	Weight
11	1	INSTALLATION INSTRUCTION		
10	1	LUBRICANT	10 ml	
9	E	STOP FLANGE	S1020239	0
8	2	OUTER DIAMETER EXTENSION	ROXYLON HE (NOT ON VERSION A)	
7	1	CORE	ROXYLON (NOT IN WOC VERSIONS)	
6	D-4	WASHER	ISO 7089 M6 A4	
5	D	NUT	ISO 4032 M6 A4	
4	D	GASKET MVBF	M6, EPDM T=1	
3	D	SCREW	DIN 603 MVBF M6x90 A4	
2	4	FITTING	ACID PROOF STAINLESS STEEL	
1	2	RUBBER FRAME	ROXYLON HE	

Reference:	Worked details:	General:	Designation:	Specification:	Weight:
EN ISO 5817-B	surface roughness: Ra 12.5	by/date: se-ronpet 2016-04-15	Latest save date: 2018-11-22	Format: A3	Sheet no: 1 / 1
EN ISO 10042-B				Scale:	TotWeight: 0,8 kg

Roxtec
www.roxtec.com

Title: RS UG SEALING RS 70-195 UG
Restricted due to Information drawing

Drawing number: S1511690

Rev: F

Rev	Type of revision	Date	Sign
F	RANGE EDITED.	2018-11-22	se-jenboh